

AUGUST 2011

Rising



REV. WAYNE RUNNER, RECTOR

401.783.2911

ascensionw@verizon.net

www.ascensionwakefield.org



A message from the Rector :

One of the special joys at Ascension during the summer is welcoming back our snow birds from Florida and sharing a service with people on vacation here in South County. I'm always surprised at how people from all over find their way to Ascension. It's also great to hear how much they enjoyed our service and hearing how they felt so welcomed by our parishioners.



Experiencing another church while on vacation can be a really a fun thing. Certainly worth including as part of your vacation plans. So while on vacation check out those "Episcopal Church Welcomes You" signs and attend church service. Share greetings from with them from all the people here at Ascension. We certainly enjoy having visitors and I can assure you it will also be fun for them to welcome you.



On Saturday, July 30, Fr. Wayne conducted another Acolyte Workshop.

We are happy to welcome our
newest member of the Acolyte Guild: Elliot Italiano



DON'T TAKE A VACATION FROM CHURCH

SUMMER SCHEDULE

Saturday Worship Service - 5:00 pm

Sunday Worship Service - 9:00 am

Join Us!

"I'd Like to Meet With the Rector"

Fr. Wayne is available for meetings or pastoral visits on Mondays, Tuesdays and Saturdays.

Please call **783-2911** to make an appointment.

He is available for emergency care 24/7.

Emergency # 824-2308

In This Issue

The Rector's Desk	1
Acolytes	2
Summer Schedule	2
Parish Picnic	3
Vacation Worship Schedule	4
Jonnycake	5
Concert and Warm Hugs	6
Youth Invitation Alzheimer's Walk	7
Children's Page	8
Parish Calendars	9



Parish Picnic

From Fr. Wayne

Let's all get together and celebrate!

It's not unusual to hear someone from one of our services (5:00, 8:00 or 10:00) say something like " gee I don't really know the people from the other services. That's a common comment in most churches that offer more than one service. We recently discovered we have an additional group not well known. I think you are all very aware of our wonderful Sunday Supper program. We often say those who attend Sunday Supper are like a little family. Because of this special weekly event many of the people who attend Sunday Supper actually identify themselves with Church of the Ascension. We feed them physically each week, its time we reached out to them and attempted to begin feeding them spiritually. It would be nice to get to know the Sunday Supper people and let them know they are also most welcome to attend our church services.

This summer's parish picnic is going to take place on Sunday, August 14th beginning at 5:00. Our Parish Picnic and the Sunday Supper are going to be combined. I ask you to join us for this special picnic. Get to know the people who attend Sunday Supper. Let them see how warm and loving we are and let them know they are welcome to join us anytime for worship.

Hot dogs will be provided for the grill and we are asking everyone to bring something (salad or dessert) that can be shared with everyone. There will be live music and games. If you have any questions or would like to volunteer your help please contact Diane Powers 783-8613.

Please make plans to join us, **Sunday, Aug 14 at 5:00**, as we ALL get together and celebrate.



Ascension Facebook Page Has Arrived

Thanks to Paul Jordan for creating the page. The **Facebook** page allows for quick communication re: storm information etc., as well as a great opportunity for feedback and discussion.

Have something to share? Join Us!



Holy Communion vs. Morning Prayer

The Episcopal Church places great emphasis on the Eucharist. In fact, the Bishop requires that every week there be at least one service that offers Holy Communion. I also feel strongly about offering the Eucharist each week. It's our opportunity as a community to be fed and filled with the Holy Spirit.

Having said that, I also share with you that while I am away on vacation in August we will be doing Morning Prayer on Sunday morning at 9:00. I see this as part of the sacrifice we are willing to make in order to help get our finances in order. We will be saving close to \$500. by not bringing in a supply priest. I feel comfortable doing this because of the great generosity of Fr. Roy who has offered to do a Eucharist at the Saturday 5:00 service while I am gone. Thanks to his offer we meet the Bishop's requirement of having Holy Communion during at least one service.

The Morning Prayer service is a beautiful service and one that many of the older parishioners remember was conducted on most Sundays in the past. For some of you I'm sure it is nice to experience Morning Prayer once again. For those who are not familiar with that service it's an opportunity to try something new. The Morning Prayer services will be conducted by Peg Collins and Paul Jordan.

If you feel strongly about receiving Holy Communion each week I would ask you to plan to attend the 5:00 service on Saturday Aug. 27 and the 9:00 service on Sunday, Sept 4. As a result of my vacation schedule (I'll be traveling back from Maryland) it will be necessary to do an Evening Prayer service on Sat, Sept 3 at 5:00. The Holy Eucharist will be offered Sunday, Sept 4 at 9:00 as usual.

Thank you for your understanding and support and enjoy the worship experience whichever one you choose to attend.

Fr. Wayne+



Thanks to Special People ... Sigrid Hewitt

As always there are many people to thank for so many hours dedicated to the work of Ascension and to all of us. Many thanks all who continue to maintain our beautiful lawns and gardens. Thanks also to the "Flower Angels" for providing altar flowers through the summer. The "homegrown" blossoms lend a special beauty to our services.

Know someone who needs a "thank you"? The September *Rising* is August 22nd - drop us a note!

Camden A Fry Memorial BBQ

Saturday August 20 2:00pm - 10:00p

Location: Town Line Farm

35 Walts Way

Chepachet, RI

Please join us Saturday, August 20th for great food, music & FUN for the whole family!!

*Food by local restaurants include BBQ ribs, corn on the cob, variety of pasta's, different salads, pizza, chicken....

*Entertainment this year includes the fantastic Elvis Tribute Artist, Walt Carty...Acoustic Sensation, Steve Malec & RI's very own STEVE SMITH & THE NAKEDS!!

Tickets are \$35 (kids under 12 free) & are available now! Reserve your table today!

All proceeds will benefit the Southern RI Youth Hockey Association, The Cam Neely Foundation & the Humane Society.

Please check us out on Facebook or go to cansfund.org.

For tickets or more information please contact Dawn Piers.

Requested August Donations:



Contributions needed for the Jonnycake Food Pantry for the month of August are cereal, juice, feminine hygiene products, shampoo, soap, toothpaste and tooth brushes, and deodorant.



"Don't grow up too quickly, lest you forget how much you love the beach."

-- Michelle Held

REVERENDFUN.COM COPYRIGHT BIBLE GATEWAY



Thanks to Richard Germain (See Jonah 1-4) 09-19-2008
IT JUST SAYS "DON'T"



From Baroque to **Broadway**

Join us for a concert by
Lauren Arnold

Featuring music from:

Bach

Handel

Gershwin

And others

At Church of the Ascension

370 Main Street

Wakefield

Sunday, August 28, 2011

2:00pm

Reception to follow in the Parish Hall

Attention Ascension Knitters...

Do you knit or crochet? Are you looking for a worthwhile project?

Warm Hometown Hugs collects home made scarves for our troops

stationed in Afghanistan. They wrap the hand made scarves and enclose a special note before sending them to the troops for the holidays.

Get an early start on this meaningful project..

Collection will be **Veteran's Day 2011**.

If you have any questions, please contact Dawn Piers. Happy Knitting!





What is a Zentangle ® ?

Join us for the October ECW Meeting to learn about this new art form. Originated by Maria Thomas and Rick Roberts (from Massachusetts and Newport) - this easy to learn technique allows you to create your own 4 inch square masterpieces "one stroke at a time". Karen Crosby - newly certified as a CZT - certified Zentangle ® teacher - will provide all of the tools and instruction we need to get started on this fun journey - Learn more at zentangle.com and be inspired!



**2011 Walk to End Alzheimer's- Newport, RI
Sunday, October 2, 2011**

Where: Salve Regina University, Newport, RI

When: Sunday, October 2, 2011- Registration at 12:00 pm,

Walk starts at 1:00 pm

Length: 3.5 miles

Join the fight against Alzheimer's disease! The Walk to End Alzheimer's (formerly The Memory Walk) is a lot of fun for a very worthy cause that touches so many of our lives! There are many ways to support the Church of the Ascension Team...sign up as a walker, make a donation to our team, place your loose change in the purple jar in the Narthex. For more information contact Dawn Piers at 788--1067 or dpiers57@yahoo.com.

Ascension Youth Invited to Join with St. Peter's and St. Paul's



This summer the St. Peter's Youth Group will partner with St. Paul's in Wickford to host a number of events to keep our youth engaged throughout the summer. Youth from all local parishes are invited to the following events:

Saturday, August 13 - Afternoon at parishioner's home on the water with swimming, canoeing, BBQ, livestock, music, and Eucharist on the lake. Around noon to 4:00 (definite time may be adjusted). We'll work out carpooling closer to the date.

Thursday, August 18 - PawSox Game at 7:05 p.m. \$7 for 13 years and above, \$5 for 12 years and younger. We'll meet around 5:00 and carpool to McCoy Stadium.

Sunday, August 21 - Youth Friendly Evening Prayer on the Beach.

For more information contact Dawn Piers at 788--1067 or dpiers57@yahoo.com.

Kid's Page

HERO Sandwich

To celebrate the Bible's many heroes, make this sandwich for a picnic.

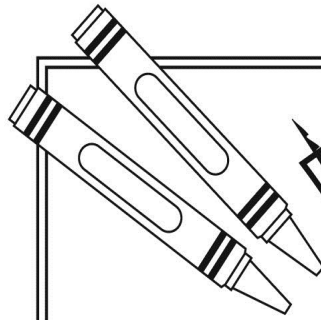
What you need:

- An adult to help
- Shredded lettuce
- Olive oil and vinegar
- Seasonings (salt, pepper, oregano)
- Italian crusty bread (six inches per person)
- Mayonnaise
- Sliced meat
- Sliced cheese
- Sliced tomato
- Construction paper
- Scissors
- Pencil
- Toothpicks
- Tape



What you do:

1. Drizzle shredded lettuce with oil and vinegar; sprinkle with seasonings.
2. Cut bread in half lengthwise and spread mayo on both halves.
3. On bottom half, layer meats, cheese, tomato and lettuce.
4. Top with other half of bread. Cut in half.
5. Cut paper into small triangles. Write your favorite Bible heroes' names on them.
6. Tape the triangles to toothpicks to make pennants. Stick in sandwich halves. Enjoy!



PUZZLE

action-packed faith

The greatest "super men" who ever lived put their faith into action.

Directions: Match each Bible character to the correct description.

- | | |
|----------|--|
| Noah | 1. This disciple wrote a gospel, recounting many events in Jesus' life. |
| Stephen | 2. This man responded to God's commands, including the order to move. God made many promises to this man and his descendants. |
| Abraham | 3. This man was eager to rebuild Jerusalem. He helped the people protect their city, reminding them that God was on their side. |
| Luke | 4. This man, who became king of Judah at a young age, obeyed God's laws and helped people repent. |
| Nehemiah | 5. God saved this honest, hard-working man from destruction by having him build a place of safety for his family and every kind of creature. |
| Josiah | 6. This man stood by God's Word, showing strength of character even when faced with persecution and death. |

On the lines below, write your name and describe how you're a "hero" for God. What are some ways you put your faith into action?

Name: _____

Answers: Noah 5, Stephen 6, Abraham 2, Luke 1, Nehemiah 3, Josiah 4.

Sun Mon Tue Wed Thu Fri Sat

	1	2	3	4	5	6 5 p HE
7 9 a HE 5 P SS	8	9 Vestry Meeting 6 PM - Karen Crosby's House	10	11	12	13 5 p HE
14 9 a HE 5 P Parish Picnic	15	16	17	18	19	20 5 p HE
21 9 a Morning Prayer 5 P SS	22 September Rising Deadline	23	24	25	26	27 5 p HE
28 9 a Morning Prayer 5 P SS	29	30	31			

The Church of the Ascension

370 Main Street

Wakefield, RI 02879

WE'RE ON THE WEB!ASCENSIONWAKEFIELD.ORG

Go GREEN!!!

**Receive your Rising electronically and save!
Contact the parish office to have your copy sent by e-mail.
Thanks!**

**Vestry Meeting
August 9, 2011**

**PARISH PICNIC
August 14, 2011 at 5 PM**